

NELSON™ HEAT TRACING SYSTEMS

Z1-PLT-BC-M25/-75NPT POWER CONNECTION KIT

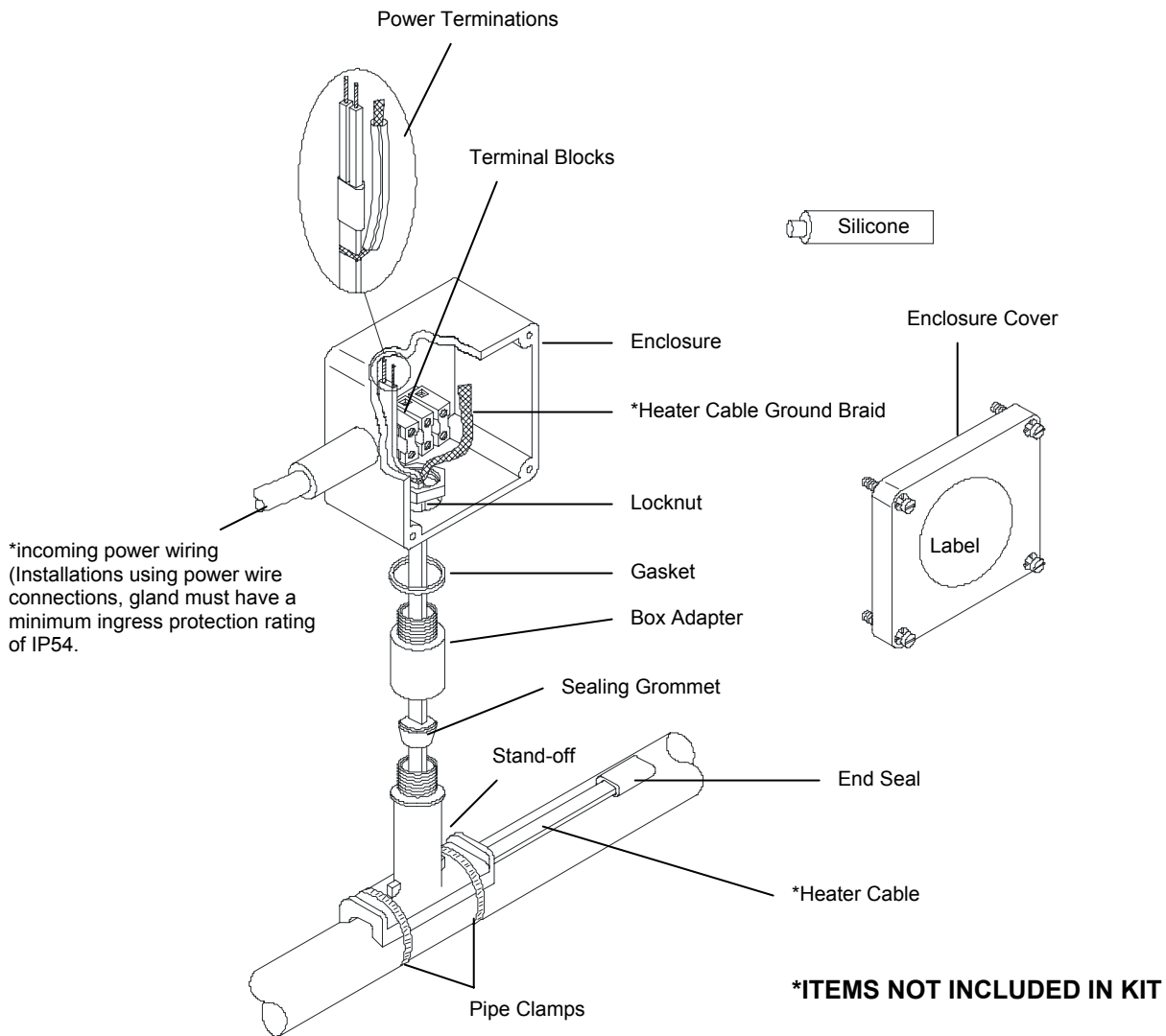
INSTALLATION INSTRUCTIONS

DESCRIPTION

The Z1-PLT-BC Power Connection Kit is designed for terminating on heater cable to customer supplied power wiring. This kit is designed for use with all wattages of Nelson Heat Tracing Systems' LT-J, LT-JT and HLT-J heater cables. The Z1-PLT-BC-M25 provides compatibility to M25 metric thread standard and the Z1-PLT-BC-75NPT provides compatibility to 0.75" NPT thread standard.

KIT CONTENTS

- | | |
|-------------------------|---|
| 1 Enclosure | 1 Sealing Grommet |
| 2 Power Terminal Blocks | 1 Power End Termination, 101.6mm (4.0") |
| 1 Ground Terminal Block | 1 G/Y Tubing, 9.5mm (0.38") diameter, 152mm (6") length |
| 1 Label | 1 End Seal |
| 1 Stand-off | 1 Tube of Silicone |
| 1 Box Adapter | 2 Pipe Clamps |
| 1 Locknut | |
| 1 Gasket | |



⚠ WARNING:

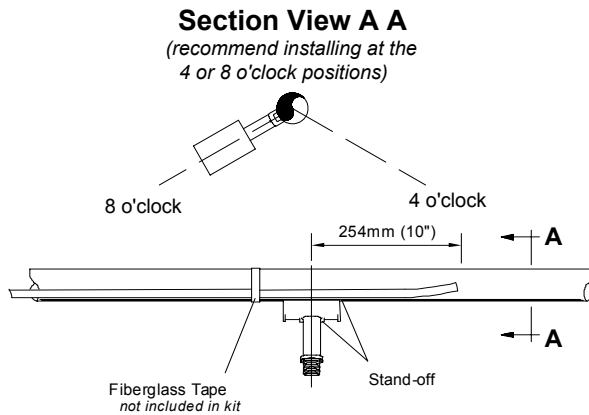
If nuisance tripping of ground fault breakers occurs due to condensation in the enclosure, electrical connections should be moisture proofed by use of a coating or sealant.

NELSON™ HEAT TRACING SYSTEMS

Z1-PLT-BC-M25/-75NPT POWER CONNECTION KIT

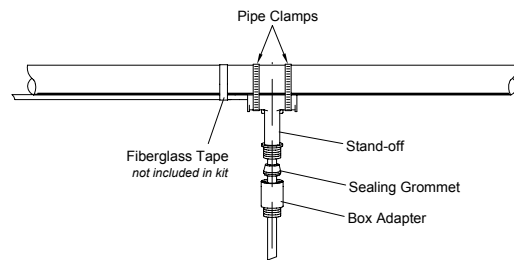
INSTALLATION INSTRUCTIONS

STAND-OFF POSITIONING



⚠ WARNING:

**Do not place pipe clamps
over heater cable.**



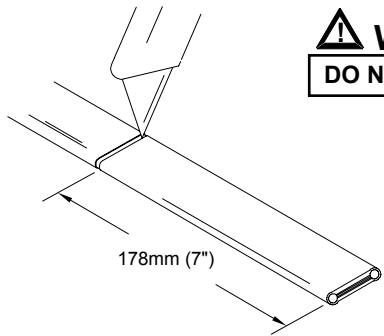
- 1) Mark pipe where stand-off will be mounted. See diagram above.
- 2) Push heater cable through the bottom opening of stand-off.
- 3) Place stand-off on the pipe and fasten with pipe clamps.
- 4) Slide the sealing grommet over the heater cable and position inside stand-off opening.
- 5) Apply silicone around the heater cable on top of the sealing grommet and fill any voids in sealing grommet.
- 6) Slide the box adapter over the heater cable and tighten securely to stand-off.
- 7) Apply silicone around the locknut and threads of the box adapter to secure the assembly.
- 8) Prepare heater cable for power termination. Proceed to sheet 3.

NELSON™ HEAT TRACING SYSTEMS

Z1-PLT-BC-M25/-75NPT POWER CONNECTION KIT

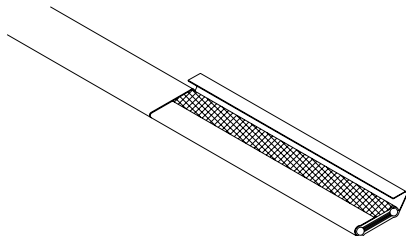
INSTALLATION INSTRUCTIONS

HEATING CABLE PREPARATION FOR NELSON LT-J, LT-JT & HLT-J PRODUCTS

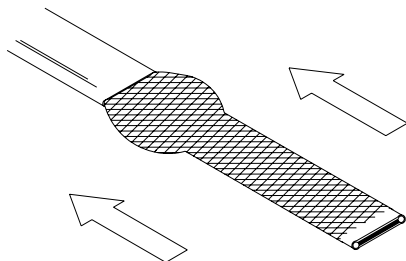


⚠ WARNING:
DO NOT CUT BRAID

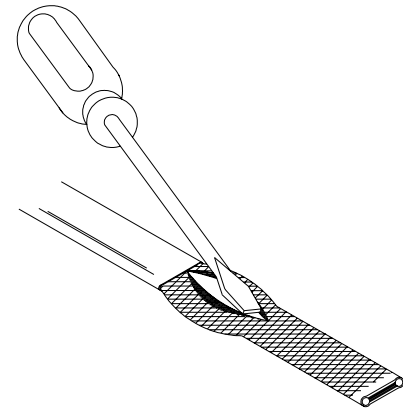
- 1) Lightly cut around heater overjacket 178mm (7") from the end. Bend cable to break the overjacket.
- 2) Lightly cut overjacket up the center between first cut mark and the cable end. Bend cable to break the overjacket.



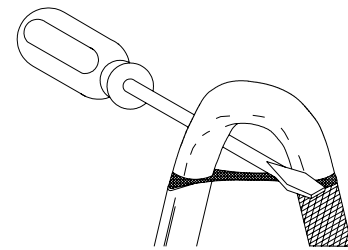
- 3) Remove overjacket from heater cable.



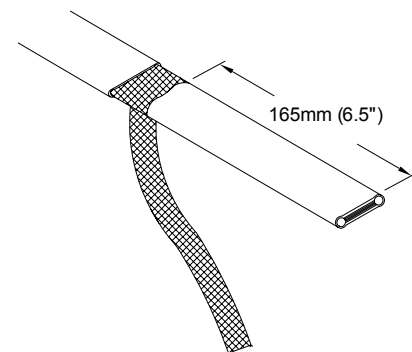
- 4) Move braid back toward the overjacket, creating a bulge.



- 5) At the bulge, separate the braid to make an opening.



- 6) While bending the heater cable, work it through the braid opening.



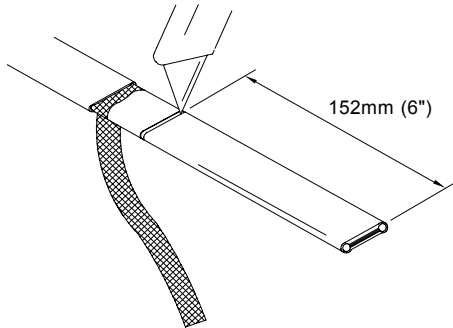
- 7) Pull the braid tight.
- 8) Proceed to sheet 4.

NELSON™ HEAT TRACING SYSTEMS

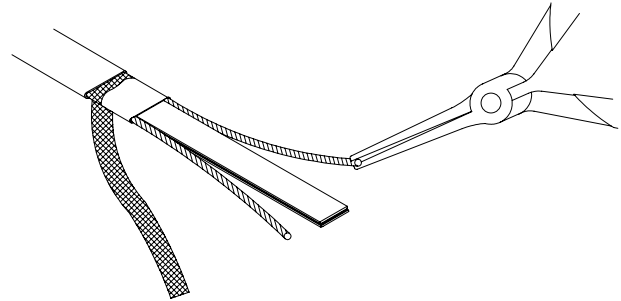
Z1-PLT-BC-M25/-75NPT POWER CONNECTION KIT

INSTALLATION INSTRUCTIONS

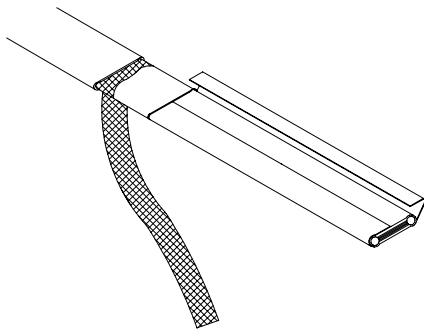
HEATING CABLE PREPARATION FOR NELSON LT-J, LT-JT & HLT-J PRODUCTS



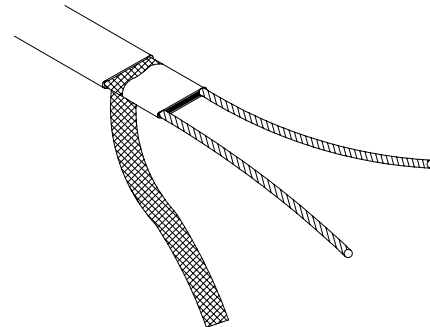
- 1) Lightly cut around cable outer jacket 152mm (6") from the end. Bend cable to break outer jacket.
- 2) Lightly cut the outer jacket up the center between the first cut mark & the cable end. Bend cable to break outer jacket.



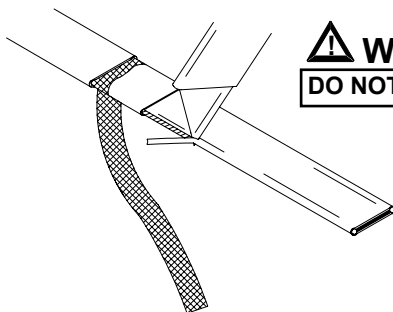
- 5) Starting at the end, pull each bus wire away from the core material.
- 6) Remove exposed core material.



- 3) Remove the jacket from the heater cable.



- 7) Cut 6mm (0.25") off the end of each bus wire.
- 8) Proceed to sheet 5.



WARNING:
DO NOT CUT BUS WIRES

- 4) Shave the core material from the outside of each bus wire.

NELSON™ HEAT TRACING SYSTEMS

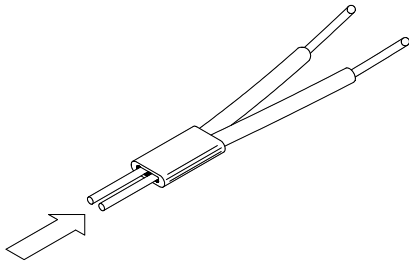
Z1-PLT-BC-M25/-75NPT POWER CONNECTION KIT

INSTALLATION INSTRUCTIONS

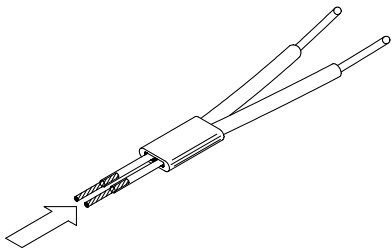
POWER TERMINATION FOR NELSON LT-J, LT-JT & HLT-J PRODUCTS

WARNINGS

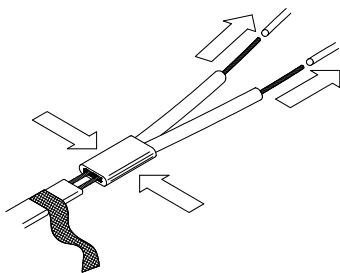
- Bus wires must not touch or cross while inserting into power termination.
- Only power terminations / end seals specifically approved for the vendors' style and type of heater cable must be used.



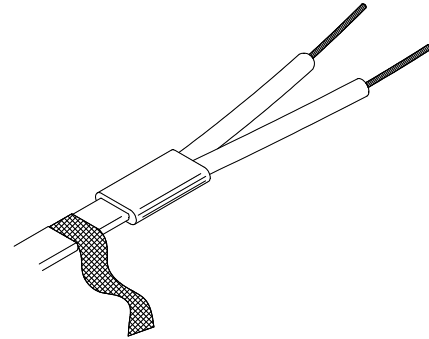
- 1) Insert bus wires into power termination fitting.



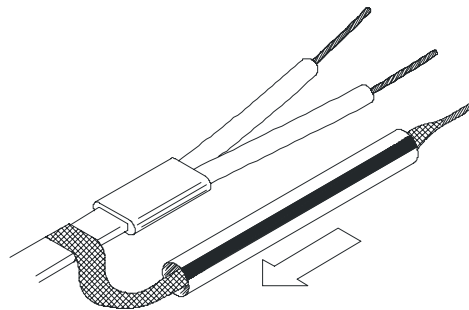
- 2) Insert bus wires into guide tubes.



- 3) Remove guide tubes.
4) Squeeze power termination opening and fill with silicone.



- 5) Push power termination to overlap jacket.
6) The silicone will set up in about 30 minutes with a complete cure after 24 hours.



- 7) Slide green/yellow tubing over ground braid before terminating heater to supplied terminals.

WARNING:

- Do not megger or hi-pot until silicone is completely cured.
- Braid must be kept away from bus wires or shorting will occur.

NELSON™ HEAT TRACING SYSTEMS

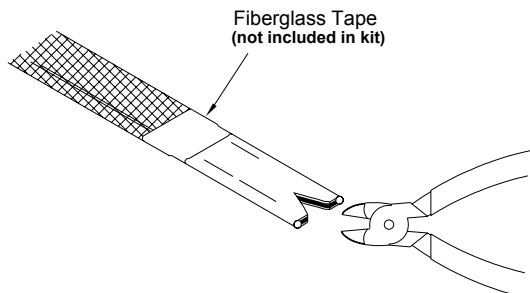
Z1-PLT-BC-M25/-75NPT POWER CONNECTION KIT

INSTALLATION INSTRUCTIONS

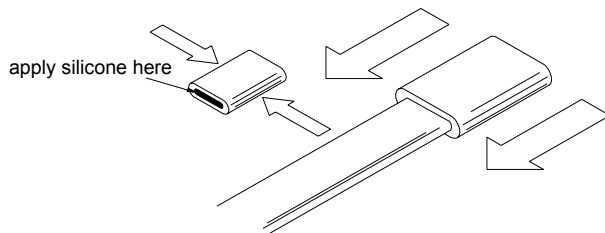
END SEAL INSTALLATION FOR NELSON LT-J, LT-JT & HLT-J PRODUCTS

⚠ WARNING:

Only end seals specifically approved for the vendor's style and type of heater cable must be used.



- 1) Remove 13mm (0.5") of overjacket exposing the braid, then remove the 13mm (0.5") of exposed braid.
- 2) Make a 10mm (0.4") cut at the end of the heater cable.



- 3) Squeeze the end seal and fill with silicone.
- 4) Push end seal over the heater cable. The end seal should overlap the cable overjacket.
- 5) The silicone will set up in about 30 minutes with a complete cure after 24 hours.

⚠ WARNING:

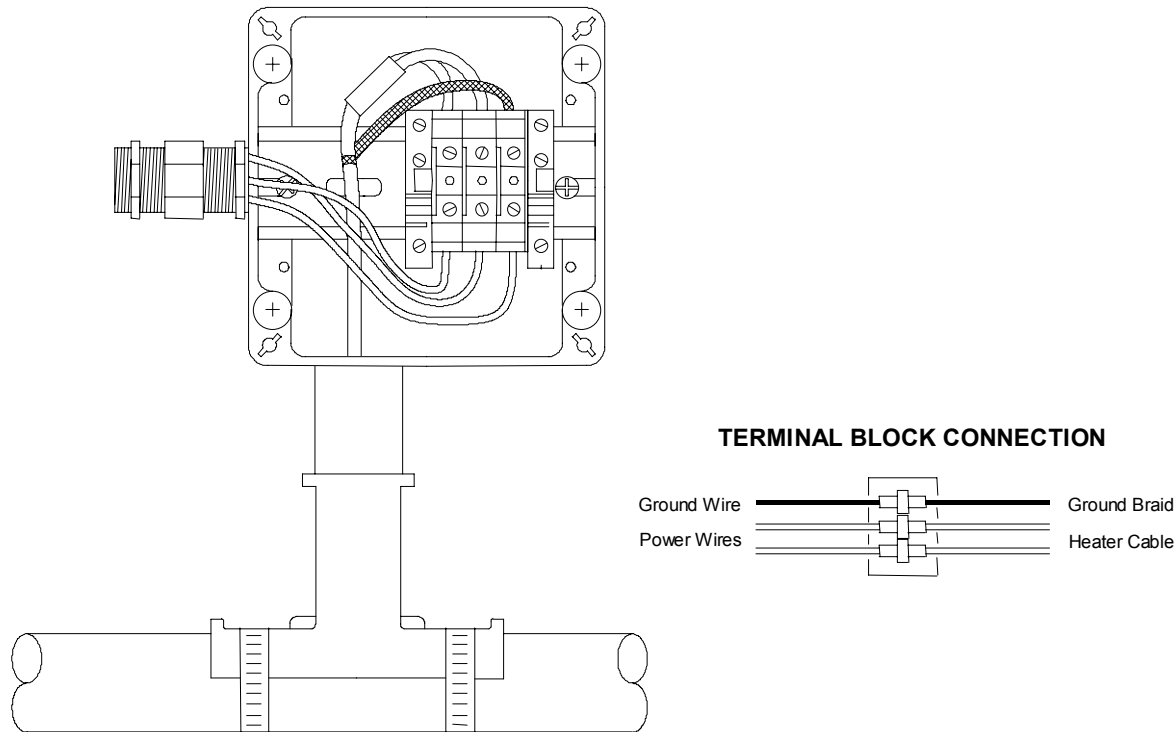
- Do not megger or hi-pot until silicone is completely cured.
- Braid must be kept away from bus wires or shorting will occur.

NELSON™ HEAT TRACING SYSTEMS

Z1-PLT-BC-M25/-75NPT POWER CONNECTION KIT

INSTALLATION
INSTRUCTIONS

POWER CONNECTION FOR NELSON LT-J, LT-JT & HLT-J PRODUCTS



- 1) Place gasket on box adapter.
- 2) Position enclosure on box adapter and apply silicone around the locknut before securing.
- 3) Connect the bus wires, power wires, ground wire and ground braid to the terminal block. See diagram above.
- 4) Push all wires and terminal block inside the enclosure.
- 5) Place the cover onto the enclosure.
- 6) Fill-in the voltage, catalog number & wattage blocks on the label with the actual field installed data.

Nelson Heat Tracing Systems products are supplied with a limited warranty. Complete Terms and Conditions may be found on Nelson's website at www.nelsonheaters.com.

CE 0344 Ex II 2 G
EEx e II T3 for HLT, T5 or T6 for LT
KEMA 03ATEX2020 X
-20C ≤ Tamb ≤ +40C

NELSON™ HEAT TRACING SYSTEMS

Z1-PLT-BC-M25/-75NPT POWER CONNECTION KIT

**INSTALLATION
INSTRUCTIONS**